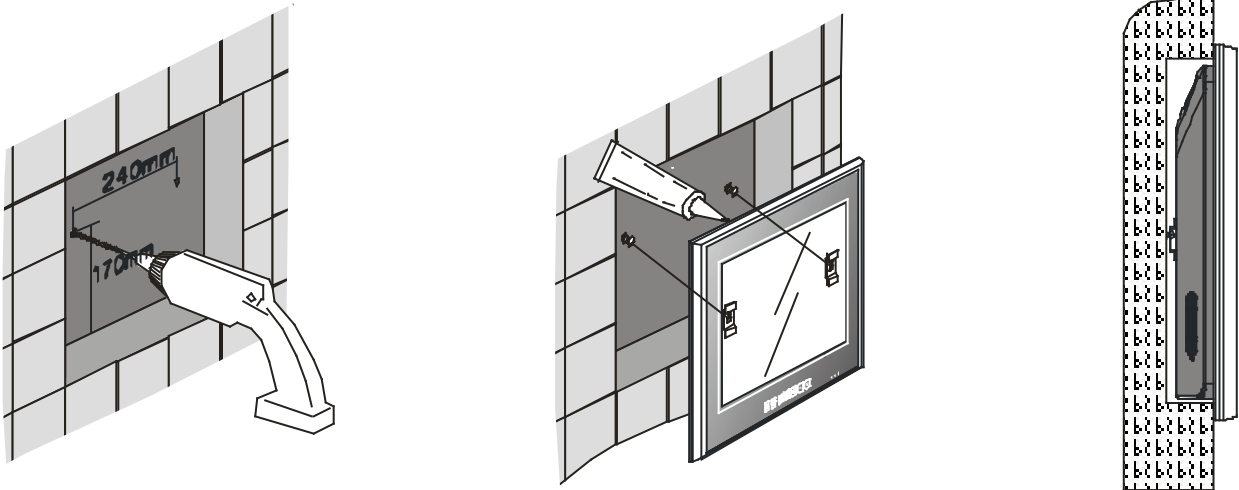


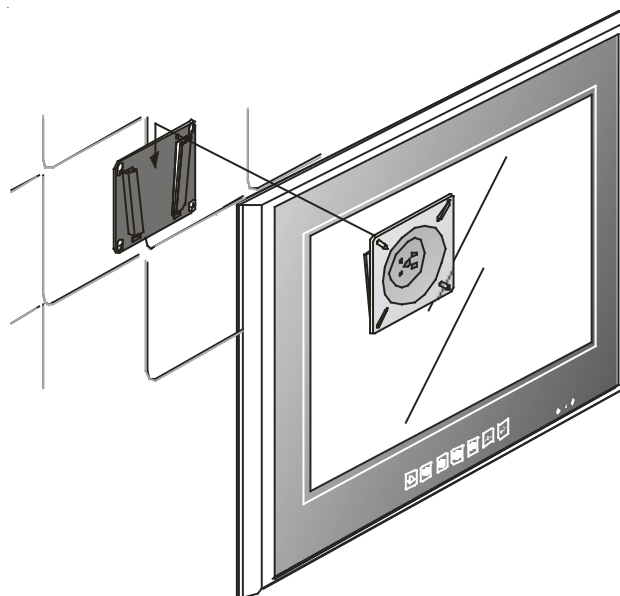
19" – Model WP-C1901 Installation Options (More Detailed Instructions are supplied with TV)

1. Flush fitting



- Create opening in the wall of dimensions: 325mm(H) x 480mm(W) x 55mm(D)
- Insert two screw fixings into points located in the diagram leaving screw heads proud.
- Using the clips attached to the rear of the TV; hook the TV onto the protruding screw heads to secure TV in position.

2. Surface mount - Using VESA Wall Mount Included



- Attach the wall bracket directly onto the wall using the suitable fixings.
- Attach the VESA bracket to the TV.
- Insert the VESA bracket into the wall bracket and screw them together to secure.